

JETSTREME I & II MOUNTING INSTRUCTIONS



FOLLOW INSTRUCTIONS CAREFULLY TO PREVENT PERSONAL INJURY AND/OR DAMAGE TO THE FAN UNIT OR COMPONENT! ALWAYS DISCONNECT ONE OF THE BATTERY CABLES OR REMOVE POWER FUSES FOR A CIRCUIT WHEN INSTALLING AN ELECTRICAL FAN OR COMPONENT!

NOTE: Do not remove label from underside of shroud as this will void the products limited warranty.

NOTE: The fans contained in this assembly are assembled in puller configuration from the factory. While these fans can be reversed to be pusher fans, We do not recommend using this assembly as pusher fans on the front side of the radiator due to the large amount of ram air that is blocked by the shroud. Fans used as pushers should only be used as a last resort when there are no other options for mounting.

NOTE: We DO NOT recommend the use of nylon tie kits or any other “through core” mounting methods for this fan assembly. The motor used in this fan assembly is too heavy and produce too much starting torque to be supported by the radiator fins.

We recommend using a prefabricated mounting kit **MFA107** (included) or fashioning metal brackets that will attach to at least four of the six 1/4 - 20 nylon reinforced nuts pressed in the back of the shroud and then bolted to the U-channels of the radiator/heat exchanger (See Fig 1.). 1" X 1/4-20 bolts are recommended to attach the brackets to the shroud. Bolts must NOT be long enough to contact the radiator/heat exchanger. See Fig 2 on page 2 for bolt pattern.

SEE JETSREME WIRING INSTRUCTIONS FOR WIRING INFORMATION

Package Contents

QUANTITY	DESCRIPTION
4	Mounting Brackets
4	1/4" – 20 x 1.25 Hex Bolts



MOUNTING BRACKETS



1/4"-20 X 1.25 HEX BOLTS

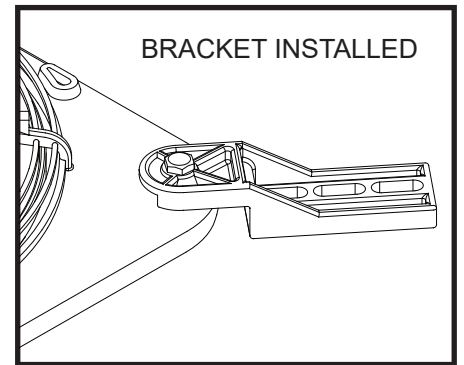
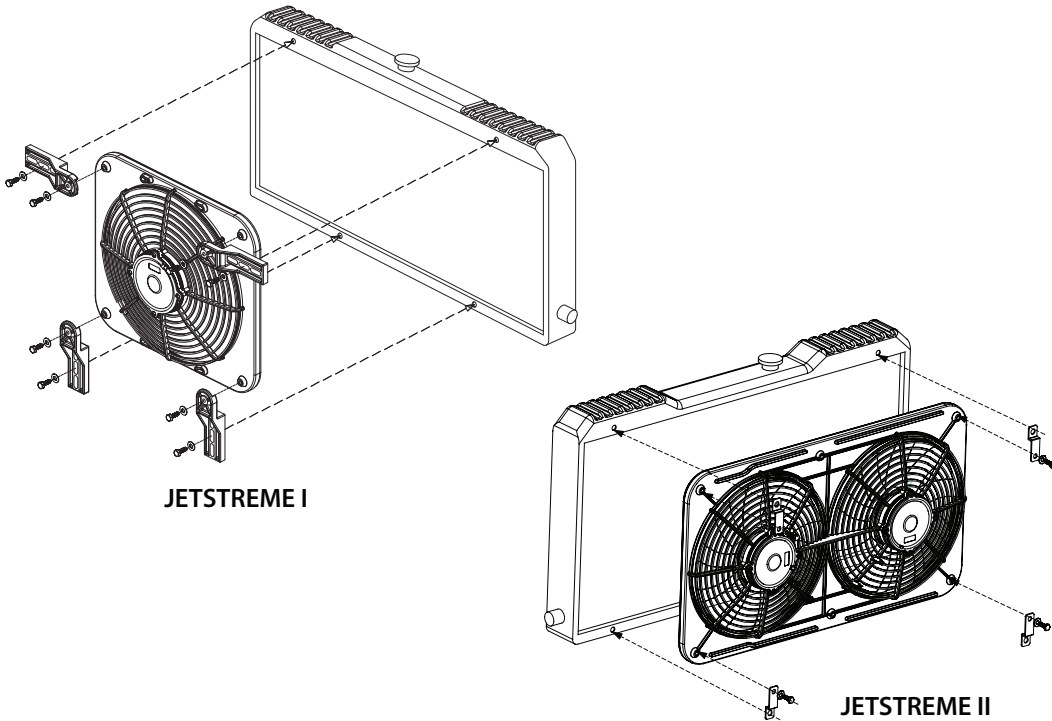
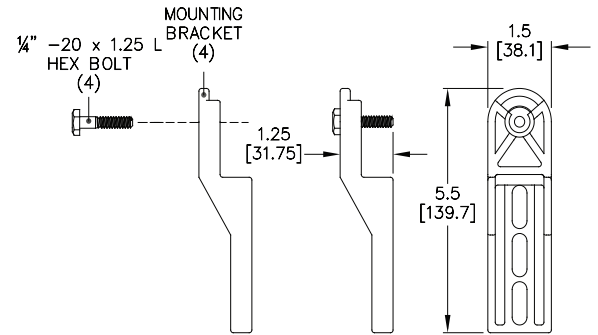
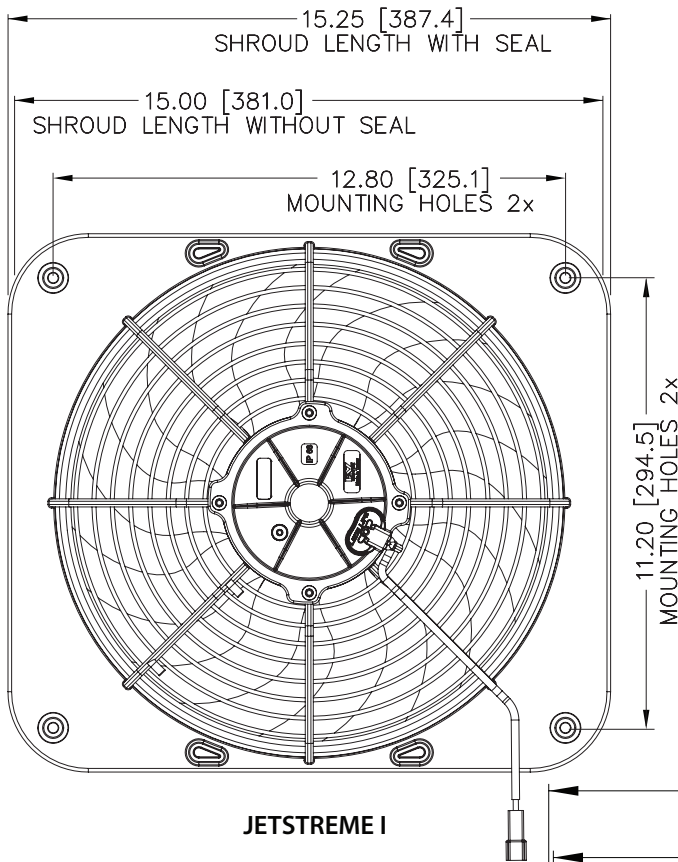


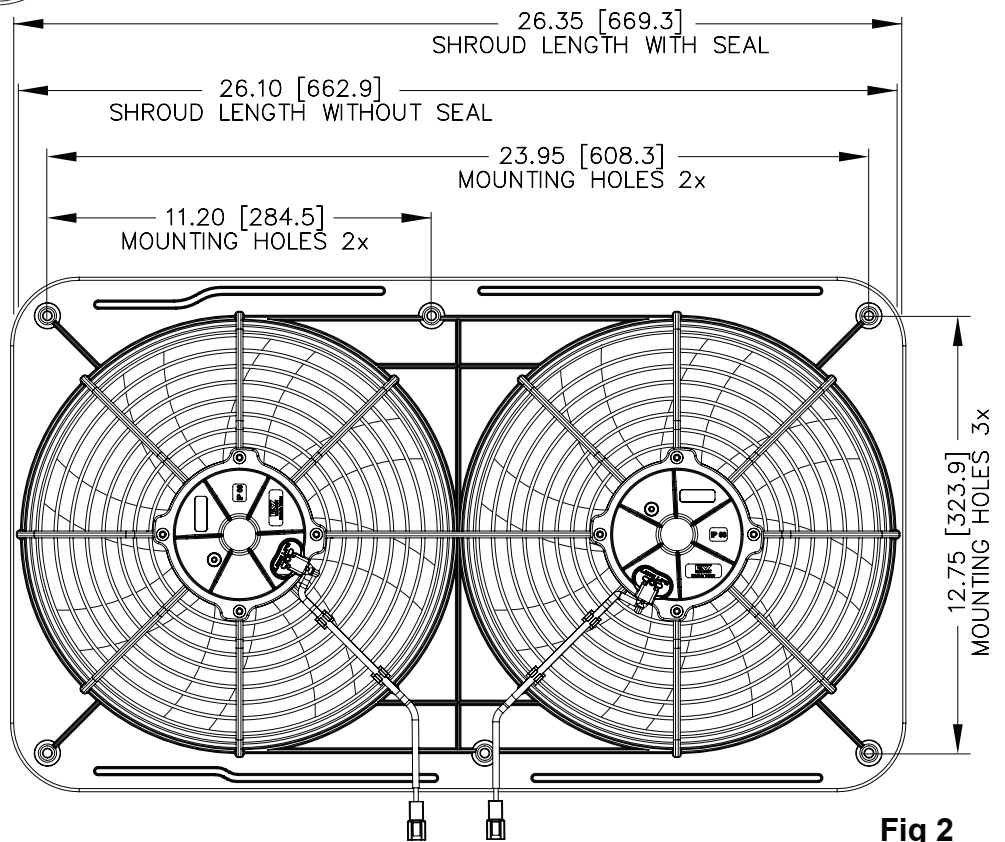
Fig 1

SPECIFICATIONS	MJS13K	MJS16K	MJS12KPS	MJS23K	MJS26K	MJS22K	MJS22KPS
LL HEAVY DUTY MOTOR	130 W	160 W	225 W	(2) 130 W	(2) 160 W	(2) 225 W	(2) 225 W
AIR FLOW @ 0" STATIC	1,155 CFM	1,300 CFM	1,700 CFM	2,310 CFM	2,600 CFM	3,100 CFM	3,400 CFM
SIZE	13.5" w x 15" h	13.5" w x 15" h	13.5" w x 15" h	26" w x 15" h	26" w x 15" h	26" w x 15" h	26" w x 15" h
DEPTH (WITH SEAL)	3.31"	3.70"	4.02"	3.31"	3.70"	4.02"	4.02"
AMP DRAW	7.2	12.4	14.7	7.2	12.4	14.7	14.7

JETSTREME I & II MOUNTING INSTRUCTIONS (CONTINUED)



JETSTREME I



JETSTREME II

Fig 2