

## JETSTREME I & II WIRING INSTRUCTIONS



**FOLLOW INSTRUCTIONS CAREFULLY TO PREVENT PERSONAL INJURY AND/OR DAMAGE TO THE FAN UNIT OR COMPONENT! ALWAYS DISCONNECT ONE OF THE BATTERY CABLES OR REMOVE POWER FUSES FOR A CIRCUIT WHEN INSTALLING AN ELECTRICAL FAN OR COMPONENT!**

**NOTE:** Do not remove label from underside of shroud as this will void the products limited warranty.

**NOTE:** The fans contained in this assembly are assembled in puller configuration from the factory. While these fans can be reversed to be pusher fans, We do not recommend using this assembly as pusher fans on the front side of the radiator due to the large amount of ram air that is blocked by the shroud. Fans used as pushers should only be used as a last resort when there are no other options for mounting.

**NOTE:** We DO NOT recommend the use of nylon tie kits or any other “through core” mounting methods for this fan assembly. The motor used in this fan assembly is too heavy and produce too much starting torque to be supported by the radiator fins.

We recommend the use of a thermostatic fan relay harness (2 for dual fan assemblies) with at minimum 25 Amp relay and fuse (30 Amp for MJS12KPS and MJS22KPS) for each fan in the assembly. See Fig 1 and 2.

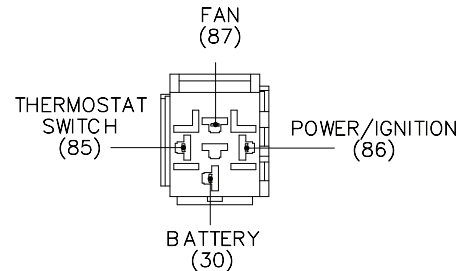
Recommended wire gauge is 14 AWG.

Recommended wire harnesses (only one needed) (sold separately):

- MFA100** (Adjustable temperature switch)
- MFA102** (185° temperature switch for carbureted engines)
- MFA103** (195° temperature switch for fuel injected engines).

**SEE MFA107 INSTRUCTIONS FOR MOUNTING INFORMATION**

WIRE LOCATIONS  
(RELAY NOT SHOWN)

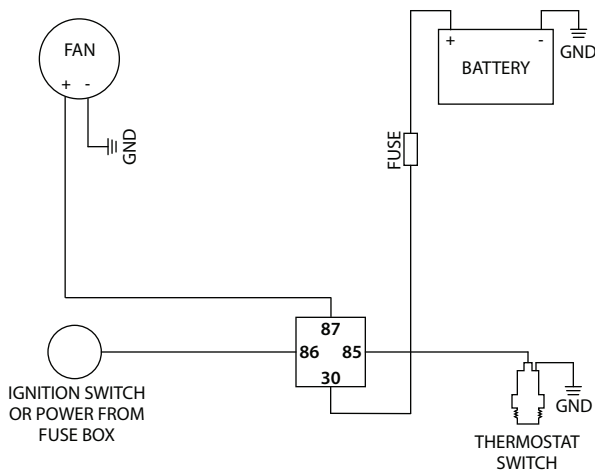


NOTE: RELAY IS NOT PROVIDED.

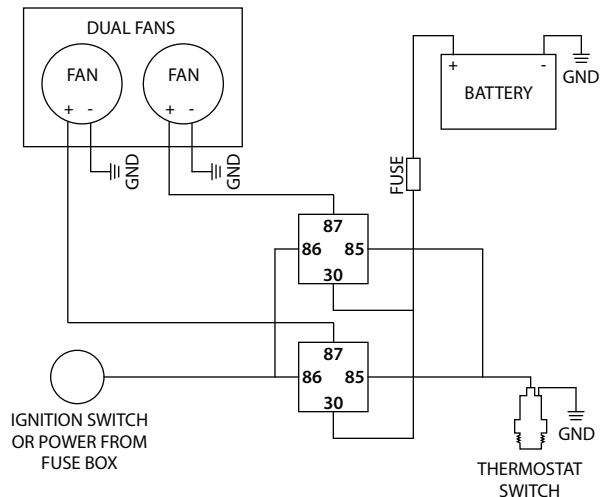
**Fig 1**

## TYPICAL WIRING DIAGRAM

JETSTREME I



JETSTREME II



**Fig 2**

SPECIFICATIONS	MJS13K	MJS16K	MJS12KPS	MJS23K	MJS26K	MJS22K	MJS22KPS
LL HEAVY DUTY MOTOR	130 W	160 W	225 W	(2) 130 W	(2) 160 W	(2) 225 W	(2) 225 W
AIR FLOW @ 0" STATIC	1,155 CFM	1,300 CFM	1,700 CFM	2,310 CFM	2,600 CFM	3,100 CFM	3,400 CFM
SIZE	13.5" w x 15" h	13.5" w x 15" h	13.5" w x 15" h	26" w x 15" h	26" w x 15" h	26" w x 15" h	26" w x 15" h
DEPTH (WITH SEAL)	3.31"	3.70"	4.02"	3.31"	3.70"	4.02"	4.02"
AMP DRAW	7.2	12.4	14.7	7.2	12.4	14.7	14.7