

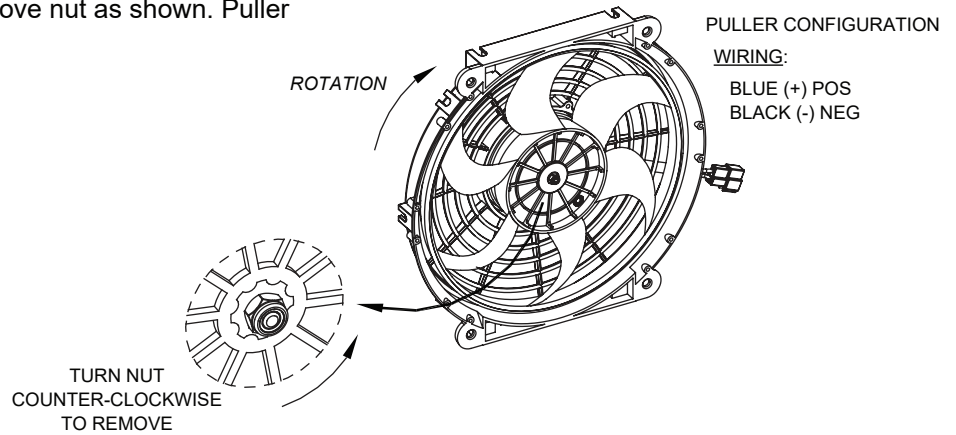
BLADE REVERSING INSTRUCTIONS

FANS SHIP IN PULLER CONFIGURATION

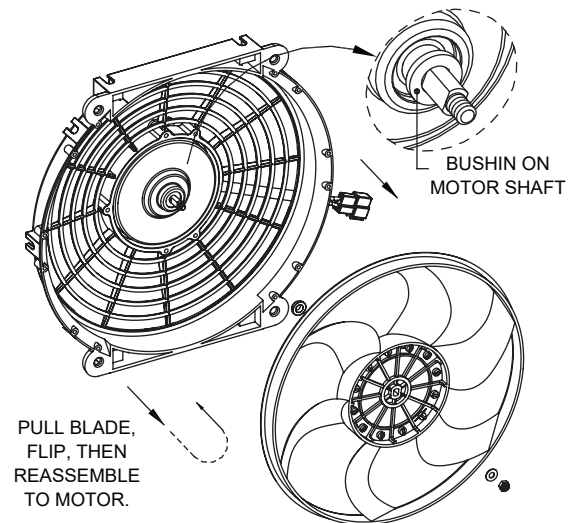


FOLLOW INSTRUCTIONS CAREFULLY TO PREVENT PERSONAL INJURY AND/OR DAMAGE TO THE FAN UNIT OR COMPONENT! ALWAYS DISCONNECT ONE OF THE BATTERY CABLES OR REMOVE POWER FUSES FOR A CIRCUIT WHEN INSTALLING AN ELECTRICAL FAN OR COMPONENT!

STEP 1: Disconnect power to the fan. Remove nut as shown. Puller rotation is clockwise as shown .



STEP 2: Carefully pull the blade off the motor shaft. Caution - edges of blade are sharp. Do not try to drive the motor out by impact! This will destroy the motor and void the warranty. Flip the blade, then place back on the unit by lining up the hub center with the motor shaft. Blade will rest on spacers as shown. Be very carefull not to loose any of the spacers.



STEP 3: After seating blade, replace nut. Pusher configuration should look as shown.

NOTE: Fan wiring changes to BLACK (+) POS and BLUE (-) NEG.

