

TYPICAL WIRING DIAGRAM

NOTE: THIS IS GENERIC AND SHOULD NOT BE USED IF USING MFA100, MFA102, MFA103 AND/OR MFA111



FOLLOW INSTRUCTIONS CAREFULLY TO PREVENT PERSONAL INJURY AND/OR DAMAGE TO THE FAN UNIT OR COMPONENT! ALWAYS DISCONNECT ONE OF THE BATTERY CABLES OR REMOVE POWER FUSES FOR A CIRCUIT WHEN INSTALLING AN ELECTRICAL FAN OR COMPONENT!

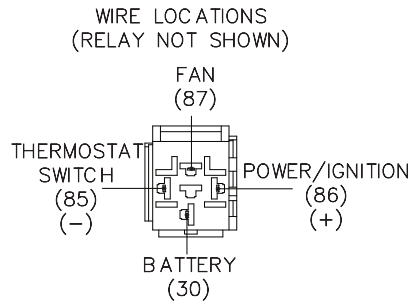
We recommend the use of a thermostatic fan relay harness (2 for dual fan assemblies) with at minimum 25 Amp relay and fuse (please check amp requirement for each fan assembly).

Recommended wire gauge is 14 AWG.

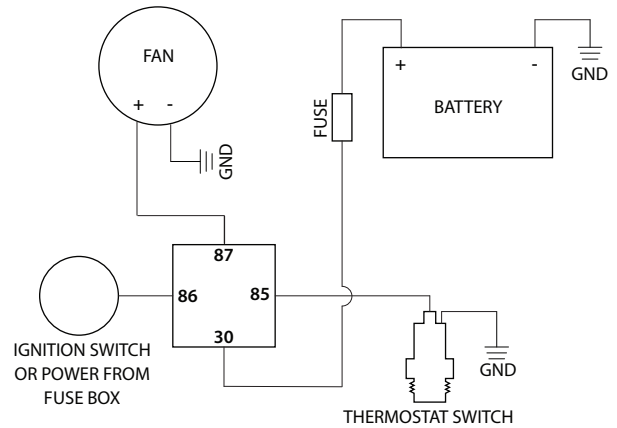
Recommended wire harnesses (only one needed) (sold separately):

- MFA100** (Adjustable temperature switch)
- MFA102** (185° temperature switch for carbureted engines)
- MFA103** (195° temperature switch for fuel injected engines)
- MFA111** (Dual fan adapter)

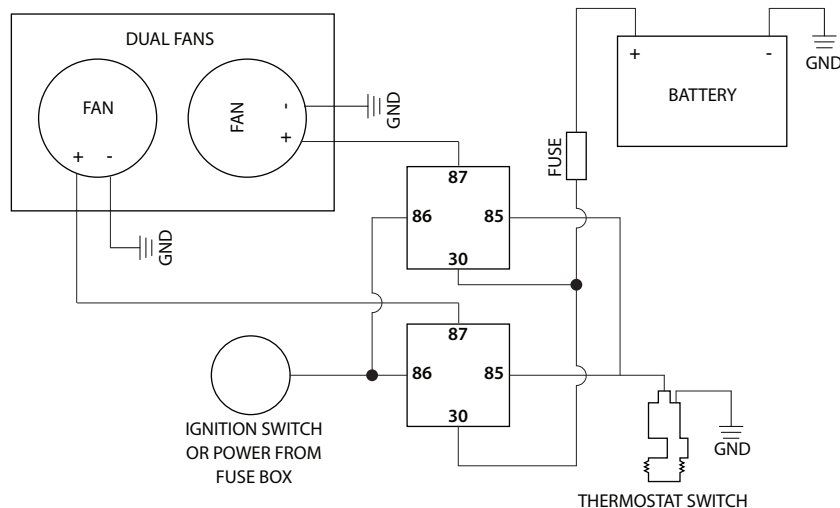
NOTE: Wiring instructions are included with the Maradyne HP wire harnesses.



NOTE: RELAY IS NOT PROVIDED.



SINGLE FAN DIAGRAM



DUAL FAN DIAGRAM